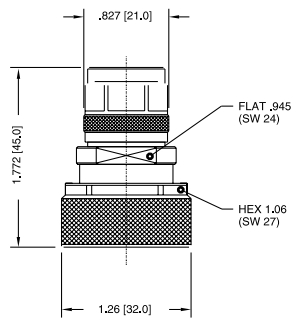


**DC-8 GHz****BETWEEN-SERIES ADAPTERS**

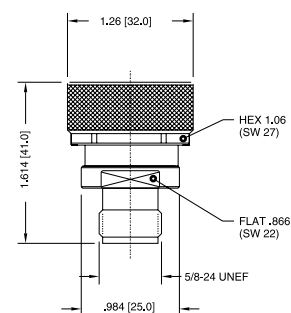
- Low VSWR
- Wireless Band Applications

SPECIFICATIONS

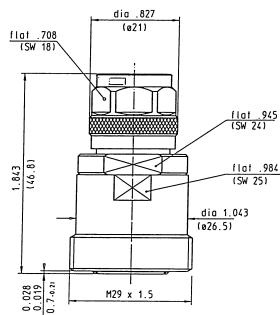
MODEL	VSWR (max)		CONNECTORS
	DC - 4 GHz	4 - 8 GHz	
N53S160S50	1.03:1	1.09:1	7/16 MALE to N MALE
N60S153K50	1.03:1	1.09:1	7/16 MALE to N FEMALE
N53S160K50	1.03:1	1.09:1	7/16 FEMALE to N MALE
N53K160K50	1.03:1	1.09:1	7/16 FEMALE to N FEMALE

OUTLINE DRAWINGS

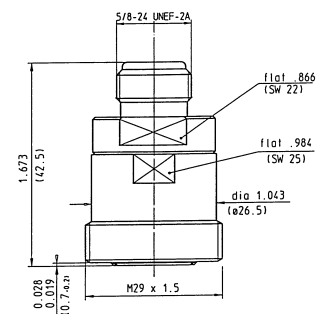
Model No. N53S160S50



Model No. N60S153K50



Model No. N53S160K50



Model No. N53K160K50